

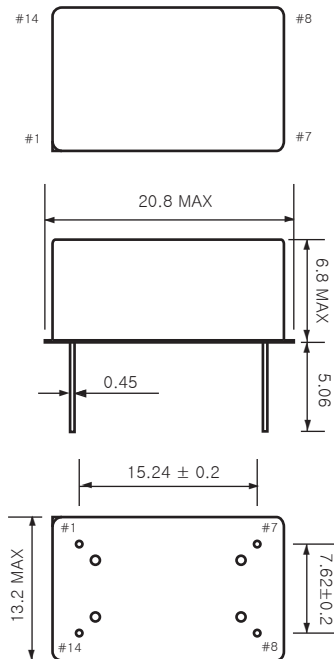
# HERMETIC THRU-HOLE TYPE VCTCXO

## CLIPPED SINEWAVE OUTPUT

### Electrical Specification

Model	OCN5.0	OCN3.3
Supply Voltage (Vcc)	5Vdc $\pm$ 5%(Std.)	3.3Vdc $\pm$ 5%(Std.)
Frequency Range	8 to 35MHz	
Frequency Tolerance (ppm Max)	$\pm$ 1.0 / $\pm$ 1.5 / $\pm$ 2.0 / $\pm$ 2.5 @ 25°C	
Frequency Stability	See <b>table 1</b> (VCTCXO part number guide)	
Operating Temperature	See <b>table 2</b> (VCTCXO part number guide)	
Storage Temperature	-40 to 85°C	
Supply Current	3mA Max	
Output Level	1.0 Vpp Min	0.8 Vpp Min
Load	10k $\Omega$ /10pF(Std.)	
Pull Range	See <b>table 3</b> (VCTCXO part number guide)	
Control Voltage	2.5Vdc $\pm$ 2.0V (Std.)	1.65Vdc $\pm$ 1.35V (Std.)
Aging	$\pm$ 1.0ppm Max/Year(Std.)	

### Dimensions



Pin Connection	
#1	Vc
#7	Ground
#8	Output
#14	Vcc